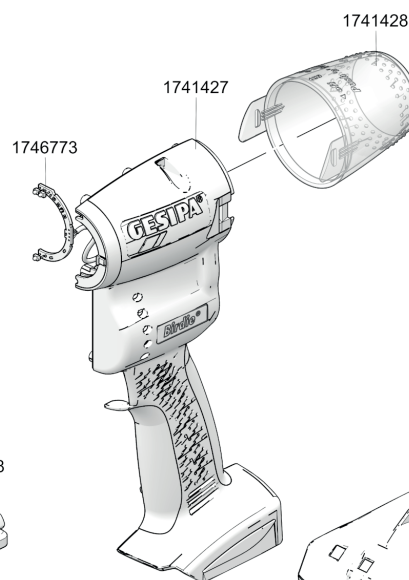
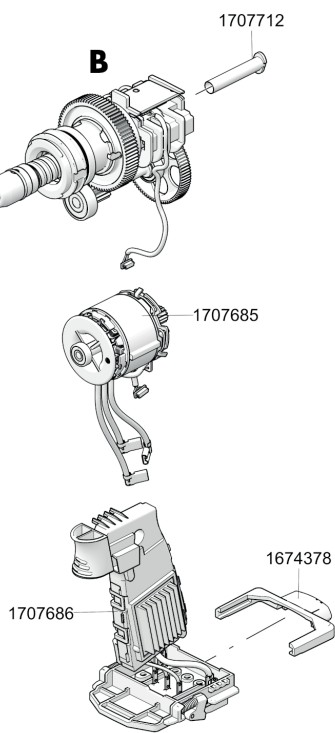
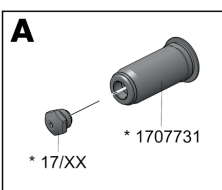
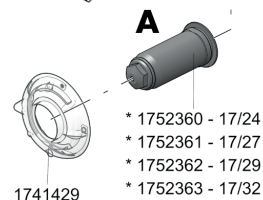
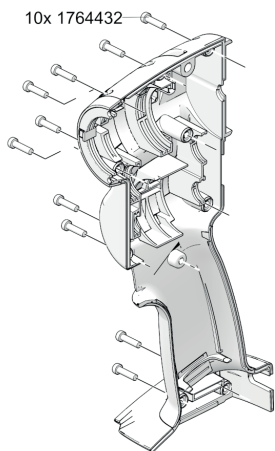
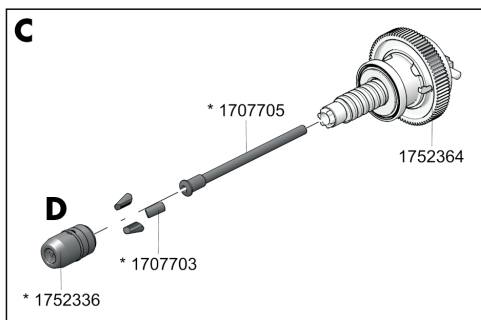
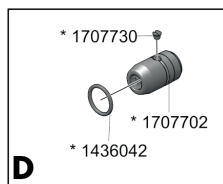
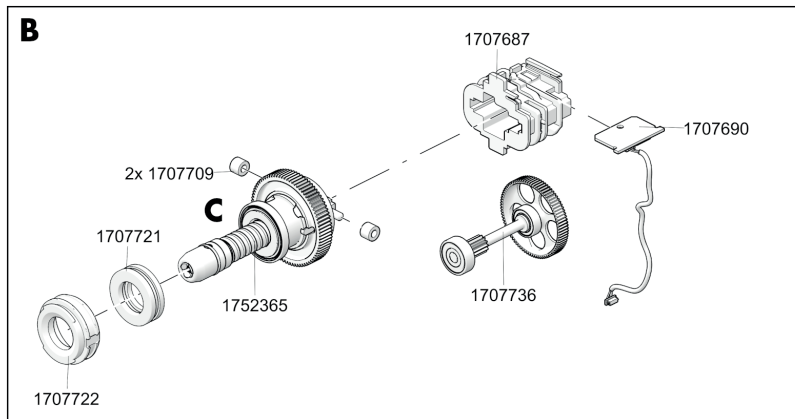


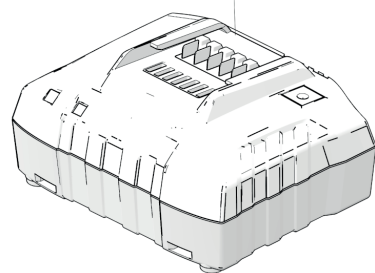
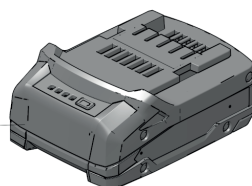
BATTERY POWERED BLIND RIVETING TOOLS

Birdie®




1679694 - EU
1679695 - UK
1679696 - USA


* 1679689



BATTERY POWERED BLIND RIVETING TOOLS

Birdie®

No.	
143 6042	O-ring
167 4378	Locking slider
167 9689*	Battery 2.0 Ah
167 9694	Charger EU
167 9695	Charger UK
167 9696	Charger USA
170 7685	Motor complete
170 7686	E control
170 7687	Cage
170 7690	Plate
170 7702*	Jaw housing
170 7703*	Jaw
170 7705*	Jaw pusher
170 7709	Sintered metal roller
170 7712	Exhaust pipe
170 7721	Axial groove ball bearing
170 7722	Housing

No.	
170 7730*	Retainer
170 7731*	Setting sleeve
170 7736	Intermediate shaft
174 1427	Housing complete
174 1428	Spent mandrel container
174 1429	Light ring
174 6773	Plate light ring
175 2336*	Jaw Housing complete
175 2360*	Setting sleeve 17/24 complete
175 2361*	Setting sleeve 17/27 complete
175 2362*	Setting sleeve 17/29 complete
175 2363*	Setting sleeve 17/32 complete
175 2364	Ball screw drive complete
175 2365	Drive unit complete
176 4432	Screw

* Wearing parts